

robot *coupe*®



- **MP 350**
- **MP 450**
- **MP 550**
- **MP 600**

P.O. Box 16625, Jackson, MS 39236-6625

280 South Perkins St., Ridgeland, MS 39157

e-mail: robocoup@misnet.com - website: www.robotcoupeusa.com

Phone : 1-800-824-1646

IMPORTANT WARNING

WARNING: In order to limit accidents such as electric shocks, personal injury or fire, and in order to limit material damage due to misuse of the appliance, please read these instructions carefully and follow them strictly. Reading the operating instructions will help you get to know your appliance and enable you to use the equipment correctly. The operation manual should be kept within easy access to all users for reference and should be read completely by all first time users of the machine.

UNPACKING

- Carefully remove the equipment from the packaging and take out all the boxes or packets containing attachments or specific items.

WARNING- some parts are very sharp E.G. blade. Wear cut-resistant gloves when handling the blade.

STORAGE

- You are advised to install the wall support provided with the machine and to store your machine on it.

POWER SUPPLY

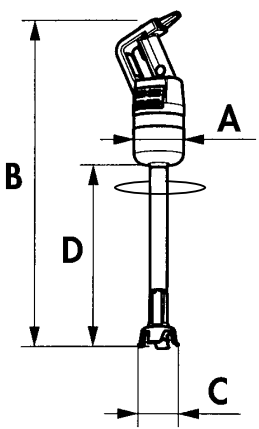
- Always check that your power supply corresponds to that indicated on the serial number plate on the motor unit and that it can take the amperage.

SPECIFICATIONS

- The standard machine is operated on a standard 120 Volt, 60Hz., 15 Amp outlet.

MP 350	120V/60Hz / 365 Watt
MP 450	120V/60Hz / 415 Watt
MP 550	120V/60Hz / 565 Watt
MP 600	120V/60Hz / 670 Watt

DIMENSIONS



	MP 350	MP 450	MP 550	MP 600
mm				
A	123	123	123	123
B	740	840	940	970
C	100	100	110	110
D	360	460	550	580
inches				
A	5	5	5	5
B	28 ⁹ / ₁₆	32 ⁹ / ₁₆	36 ⁷ / ₁₆	38
C	4	4	4	4 ³ / ₈
D	14 ³ / ₁₆	18 ¹ / ₈	21 ¹¹ / ₁₆	22 ¹³ / ₁₆

SAFETY

• Safety on control switches.

This safety mechanism prevents any unintentional starting of the unit. Two buttons must be pressed to start the unit. See section on operating the power mixer.

• Safeties on motor : Thermal and overload protection.

If there is an obstruction in the container (a spoon or utensil) or the machine is overused and becomes hot the unit will stop. If the unit stops because of a thermal overload (power mixer is too hot), wait for a period of up to 30 minutes for the unit to cool down before restarting.

• No volt release safety (Supply failure).

If there is a power failure or the machine is unplugged, it will not restart by itself. See section on operating the power mixer.

• Overload Warning Light (only for MP 600).

WARNING

Be careful when handling the blades. They are very sharp ! Wear cut-resistant gloves when handling the blades.



OPERATING INSTRUCTIONS

MANUAL DE INSTRUCCIÓN

NOTICE D'INSTRUCTION

We reserve the right to alter at any time without notice the technical specifications of this appliance.

© All rights reserved for all countries by: ROBOT-COUBE S.N.C.

Nos reservamos el derecho de modificar en todo momento y sin previo aviso las características técnicas de este aparato.

© Todos los derechos para cada país reservados por: ROBOT-COUBE S.N.C.

Nous nous réservons le droit de modifier à tout moment et sans préavis les caractéristiques techniques de cet appareil.

© Tous droits réservés pour tous pays par : ROBOT-COUBE S.N.C.

CONTENTS

■ WARRANTY

■ IMPORTANT WARNING

- Unpacking
- Storage
- Power
- Specifications
- Dimensions
- Safety
- Warning

■ INTRODUCTION

■ USES

■ OPERATING THE POWER MIXER

- Preparation
- Operation
- Continuous Operation

■ ASSEMBLY/DISASSEMBLY

- Assembling the bell on the foot
- Disassembling the bell from the foot
- Disassembling the blade

■ CLEANING

- Cleaning the motor housing
- Cleaning the foot and bell
- Blade
- Splash guard
- Aluminum
- Plastic

■ MAINTENANCE

- Blade
- Foot Seal
- Seal Ring

■ TROUBLE SHOOTING

■ WARNING

■ SERVICE

■ TECHNICAL DATA (page 25)

- Exploded views
- Electrical and wiring diagrams

ROBOT-COUPE U.S.A., INC. LIMITED WARRANTY

YOUR NEW ROBOT-COUPE PRODUCT IS WARRANTED TO THE ORIGINAL PURCHASER FOR A PERIOD OF ONE YEAR FROM THE DATE OF PURCHASE.

This **LIMITED WARRANTY** is against defects in the material and/or workmanship, and includes labor for replacement of defective parts, provided repairs are performed by an authorized service agency (see attached list). The **CUSTOMER** must inform the Service Agency of the possibility of warranty coverage and provide a copy of the dated sales or delivery receipt **BEFORE WARRANTY REPAIRS ARE BEGUN**. Replacement parts and accessories are warranted for ninety (90) days from the date of purchase when purchased separately and will be verified by dated sales receipt **OR** packing slip which lists that item. All parts or accessories replaced under warranty must be returned to the Service Agency.

THE FOLLOWING ARE "NOT" COVERED UNDER WARRANTY :

1 - Damage caused by abuse, misuse, dropping, or other similar incidental damage caused by or

as a result of failure to follow assembly, operating, cleaning, user maintenance, or storage instructions.

2 - Labor to sharpen and/or parts to replace knife assemblies or blades which have become dull, chipped, or worn due to normal use.

3 - Material or labor to renew or repair scratched, stained, chipped, dented or discolored surfaces, blades, knives, attachments, or accessories.

4 - Transportation charges to or from an authorized service agency for repairs of a machine designated as "CARRY IN SERVICE" (table top models).

5 - Labor charges to install or test attachments or accessories (i.e., bowls, cutting plates, blades, attachments) which are replaced for any reason.

6 - Charges to change Direction-of-Rotation of Three Phase electric motors (INSTALLER IS RESPONSIBLE).

7 - SHIPPING DAMAGE IS NOT COVERED BY WARRANTY. Visible and hidden damages are the responsibility of the freight carrier. The consignee must file a damage claim promptly against the carrier, or upon discovery in the case of hidden damage.

KEEP ALL ORIGINAL CONTAINERS AND PACKING MATERIALS FOR CARRIER INSPECTION.

Robot-Coupe U.S.A., Inc., Robot-Coupe S.A. or any of their affiliates, distributors, officers, directors, agents, employees, or insurers will not be obligated for consequential or other damages, losses, or expenses in connection with or by reason of the use of or inability to use the machine for any purpose.

THIS WARRANTY IS GIVEN EXPRESSLY AND IN LIEU OF ALL OTHER WARRANTIES, EXPRESSED OR IMPLIED, FOR MERCHANTABILITY AND FOR FITNESS TOWARD A PARTICULAR PURPOSE AND CONSTITUTES THE ONLY WARRANTY MADE BY ROBOT-COUPE, U.S.A., Inc.

IMPORTANT WARNING

WARNING: In order to limit accidents such as electric shocks, personal injury or fire, and in order to limit material damage due to misuse of the appliance, please read these instructions carefully and follow them strictly. Reading the operating instructions will help you get to know your appliance and enable you to use the equipment correctly. The operation manual should be kept within easy access to all users for reference and should be read completely by all first time users of the machine.

UNPACKING

- Carefully remove the equipment from the packaging and take out all the boxes or packets containing attachments or specific items.

WARNING- some parts are very sharp E.G. blade. Wear cut-resistant gloves when handling the blade.

STORAGE

- You are advised to install the wall support provided with the machine and to store your machine on it.

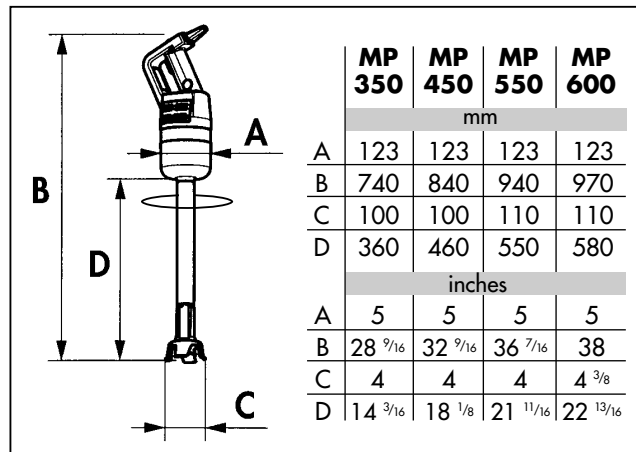
POWER SUPPLY

- Always check that your power supply corresponds to that indicated on the serial number plate on the motor unit and that it can take the amperage.

SPECIFICATIONS

- The standard machine is operated on a standard 120 Volt, 60Hz., 15 Amp outlet.
- | | |
|--------|----------------------|
| MP 350 | 120V/60Hz / 365 Watt |
| MP 450 | 120V/60Hz / 415 Watt |
| MP 550 | 120V/60Hz / 565 Watt |
| MP 600 | 120V/60Hz / 670 Watt |

DIMENSIONS



SAFETY

Safety on control switches.

This safety mechanism prevents any unintentional starting of the unit. Two buttons must be pressed to start the unit. See section on operating the power mixer.

Safeties on motor : Thermal and overload protection.

If there is an obstruction in the container (a spoon or utensil) or the machine is overused and becomes hot the unit will stop. If the unit stops because of a thermal overload (power mixer is too hot), wait for a period of up to 30 minutes for the unit to cool down before restarting.

No volt release safety (Supply failure).

If there is a power failure or the machine is unplugged, it will not restart by itself. See section on operating the power mixer.

Overload Warning Light (only for MP 600).

WARNING

Be careful when handling the blades. They are very sharp ! Wear cut-resistant gloves when handling the blades.

INTRODUCTION TO YOUR ROBOT COUPE POWER MIXER

MP 350 • MP 450 • MP 550 • MP 600

The Robot Coupe power mixer performs a host of culinary feats, It will facilitate the making of soups, cream soups, vegetable purees, and pulps.

USES

Soups/cream soups

Vegetable purees : carrots, spinach, celery, turnips, French beans, ect..

Mousses : vegetable, fish

Fruit compotes

Sauces : green, mayonnaise, remoulade, cream emulsions, tomato or parsley

Bisques : langoustines and crustaceans

Pancake mixture

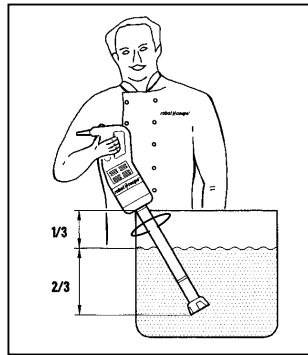
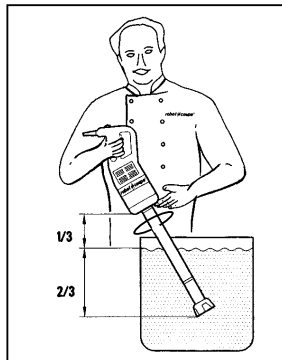
The machine is easily assembled and disassembled for maintenance and cleaning.

OPERATING THE POWER MIXER

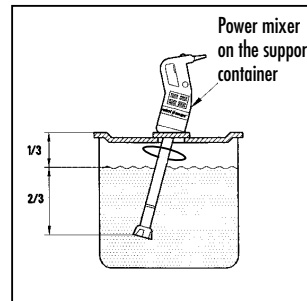
• A. PREPARATION

Working position

1. Hold the power mixer firmly by the handle and the motor base and tilt it at a slight angle to prevent the bell from hitting the bottom of the container.



2. The power mixer can be rested against the rim of the container but must be tilted. **The bell must not touch the bottom of the container !**



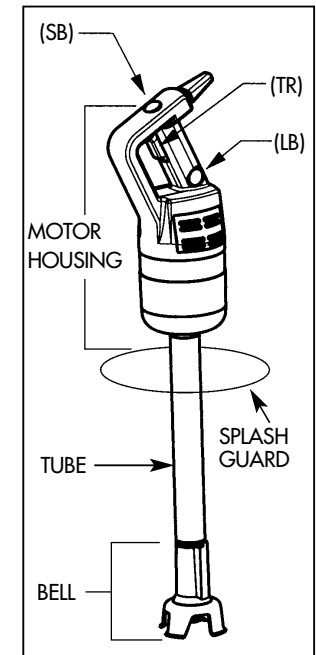
3. If using the power mixer support (optional accessory), on the top of the container, the power mixer should be positioned in the middle of the support and at a slight angle. **The bell must not touch the bottom of the container!**

4. **The splash guard should always be in place before operating the power mixer.**
5. For optimum efficiency two thirds (2/3) of the tube should be immersed in the product.
6. **Always make sure that the bell is completely immersed to avoid splashing and that the ventilation openings do not come into contact with any liquid!**

• B. OPERATION

1. Read all of section A. before continuing.
2. Before operating the power mixer, check the on/off trigger (TR). The trigger should be in the out/released position.
3. Connect the cord to the power supply.

4. Put the tube into the product **with the bell completely immersed and the splash guard in place.**
5. Press and hold down the safety button
6. Press the on/off trigger (TR), and the unit will start.
7. Release the safety button (SB).
8. Release the on/off trigger (TR), to stop the unit.

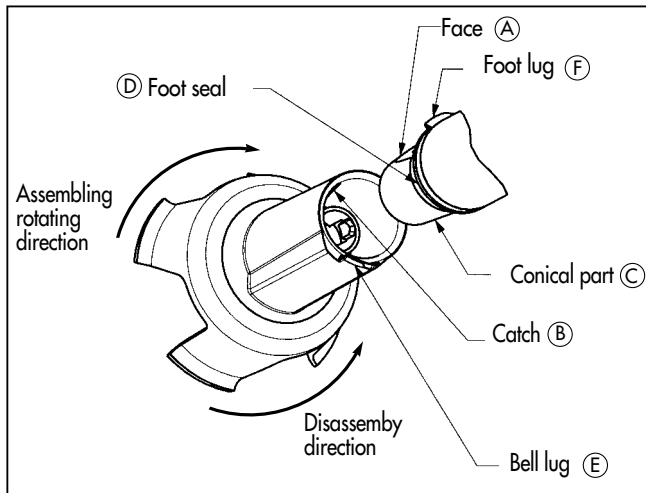


• C. CONTINUOUS OPERATION

9. Follow steps 1 through 6 above, then: While the on/off trigger (TR), is pressed, press the lock button (LB).
10. Release the on/off trigger (TR).
11. Release the lock button (LB), and the power mixer will run continuously.
12. To stop the power mixer, press and release the on/off trigger (TR).
13. The unit is equipped with current and temperature overload protection. If the unit stops unexpectedly you may try to restart it by following steps 3-5 above. If the unit does not restart, allow it to cool for a period of up to 30 minutes and the temperature overload will automatically reset. You should then be able to restart following steps 3-6 above.

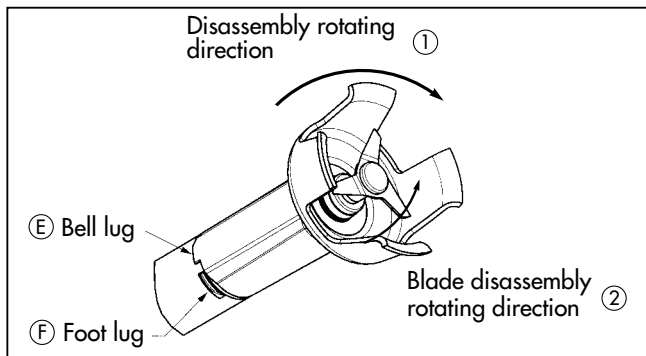
ASSEMBLY/DISASSEMBLY

• ASSEMBLING THE BELL ON THE FOOT



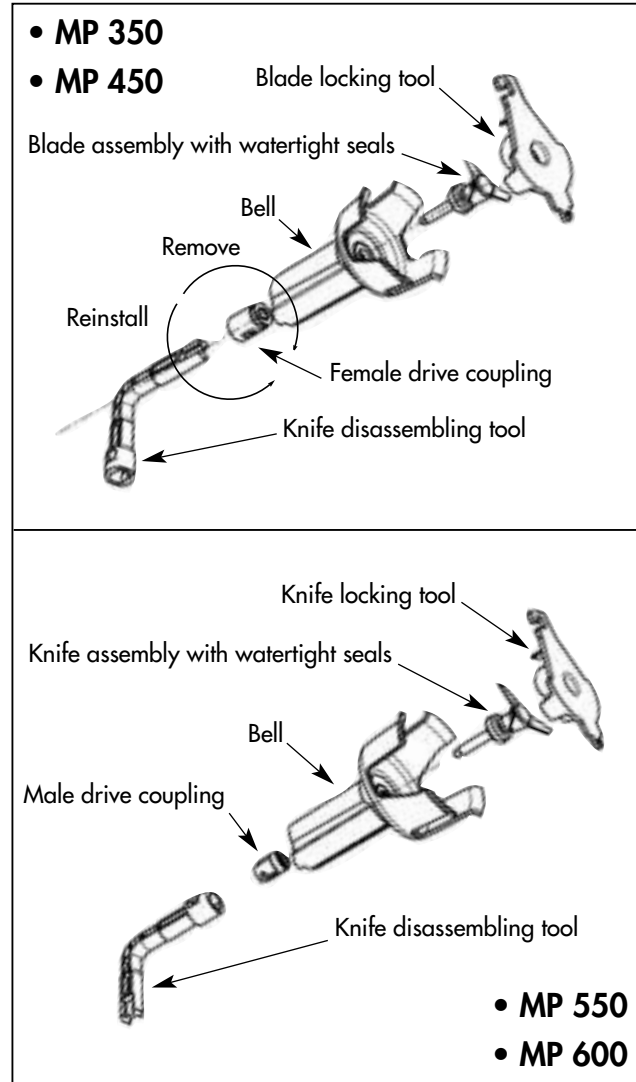
Unplug the machine. Align face (A) on the conical part of the foot with catch (B) on the inside of the bell. Insert the conical part (C) into the bell. With the washer touching the foot seal (D), turn the bell in the direction of the arrow (see figure) and connect the bell lug (E) with the foot lug (F). Tighten using moderate pressure.

• DISASSEMBLING THE BELL FROM THE FOOT



Unplug the machine. Turn the bell in the direction of the arrow (1) (see next figure) to separate the bell (E) from the foot lug (F). Remove the bell. If stuck, turn the blades inside the bell in the direction of the arrow (2) to loosen from the drive shaft.

• DISASSEMBLING THE BLADE



To safely remove the sharp blades, hold with the provided blade locking tool. Using the blade disassembling tool, unscrew the female drive coupling. As the drive coupling is unscrewed disengage the blade for easy cleaning.

CLEANING

! WARNING
 As a precaution, always unplug your appliance before cleaning it (risk of electrocution).

Cleaning the motor housing

The equipment must be clean through all stages of production. Clean between each job using a detergent or disinfectant. Dilute the detergent/disinfectant following the instructions normally specified on it's packaging container. Use a cloth **lightly dampened** with the cleaning solution. **Do not allow liquid to come into contact with the electrical components contained within the housing. Be careful when cleaning around vents do not allow liquid to drip or seep into the housing.** Use a cloth lightly dampened with water to remove detergent/disinfectant then dry using a clean cloth. After using the power mixer in a hot mixture, cool the bottom of the foot in cold water before disassembling the bell from the foot. Clean immediately after use to prevent product from sticking to surfaces.

! WARNING
NEVER IMMERSE MOTOR HOUSING AND/OR HANDLE IN LIQUID! THE HOUSING CONTAINS THE ELECTRICAL COMPONENTS AND IS NOT SEALED AGAINST LIQUID. CONTACT WITH LIQUID CAN CAUSE DAMAGE TO THE POWER MIXER AND SERIOUS INJURY TO THE OPERATOR.

• CLEANING THE FOOT AND BELL

There are two ways to proceed :

Simple cleaning procedure

Having plenty of water in a container, immerse the foot and bell and run for a few seconds to clean. Unplug the container and rinse the bell.

Complete cleaning procedure

Unplug the power mixer. rinse the bell under a water tap. Remove the bell from the foot, then remove the blade. Be careful to avoid damaging the surface of the blade shaft and the watertight seals. Always dilute the detergent/disinfectant (see above). Thoroughly dry all parts before reassembly.

• BLADE

The blade can be removed from the bell for thorough cleaning. Always dry thoroughly to avoid spotting.

• SPLASH GUARD

With the bell removed, the splash guard can be removed and cleaned using standard detergents/disinfectants.

• ALUMINUM

Use "soft metal safe" cleaning agents.

• PLASTIC

Do not use too alkaline detergent (having a high concentration of soda or ammonia).

MAINTENANCE

• BLADE

Over time the blades will become worn and will need to be replaced. The washer and seals should also be replaced at this time. A blade service kit is available.

• FOOT SEAL

In order to maintain a watertight seal between the foot and bell, inspect the seal for wear and replace it if necessary.

• SEAL RING

The seal ring can be lubricated using a suitable food grade grease. In order to maintain watertightness, check the seal ring for wear and replace if necessary.

TROUBLE SHOOTING

• THE UNIT DOES NOT START.

1. Did you follow the previous operating instructions ?
2. Is the machine hot ? Allow the unit to cool (see 1 below).
3. Pull the plug and try another outlet.
4. Check outlet for current (breaker or fuse).
5. Call local factory authorized service agency.

• THE UNIT STOPS DURING (WHILE) PROCESSING.

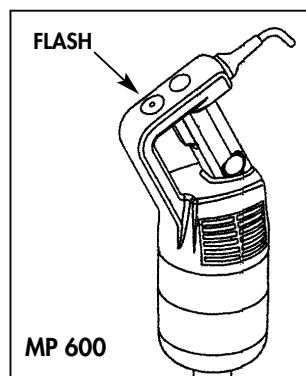
1. See section C under Operating the power mixer. Number 13 explains the overload protection. It may be necessary to allow the machine to cool for up to 30 minutes before restarting.

• THE UNIT STARTS TO SMELL OR SMOKE.

1. Turn the unit off, unplug it, call local factory authorized service agency.

• OVERLOAD WARNING LIGHT (ONLY FOR MP 600)

In case of overload or use of the mixer in a too sticky preparation, the intensity warning flashes for 5 seconds to inform you that the motor will stop shortly. This stop indicates that the preparation in process is too thick or can not be made with a stick blender.



In this case, you can still restart your mixer. However, your machine will stop again if the consistency of the preparation is not modified.

WARNING

Never try to defeat the safety mechanisms!

Never put anything but food material into the processing/mixing container, or anywhere near the blades on the power mixer unit!

Never overload the power mixer!

Never turn the power mixer on unless the bell is completely immersed in the material being processed!

Always unplug the power mixer before doing any cleaning or maintenance on the unit!

SERVICE

See warranty first then;

Should your unit require service, check with your distributor to see where local service is available. If not or if you wish your unit to be serviced at the factory, call for a return merchandise authorization (RMA) number, and upon receipt of same, ship it PREPAID and insured to our factory address.

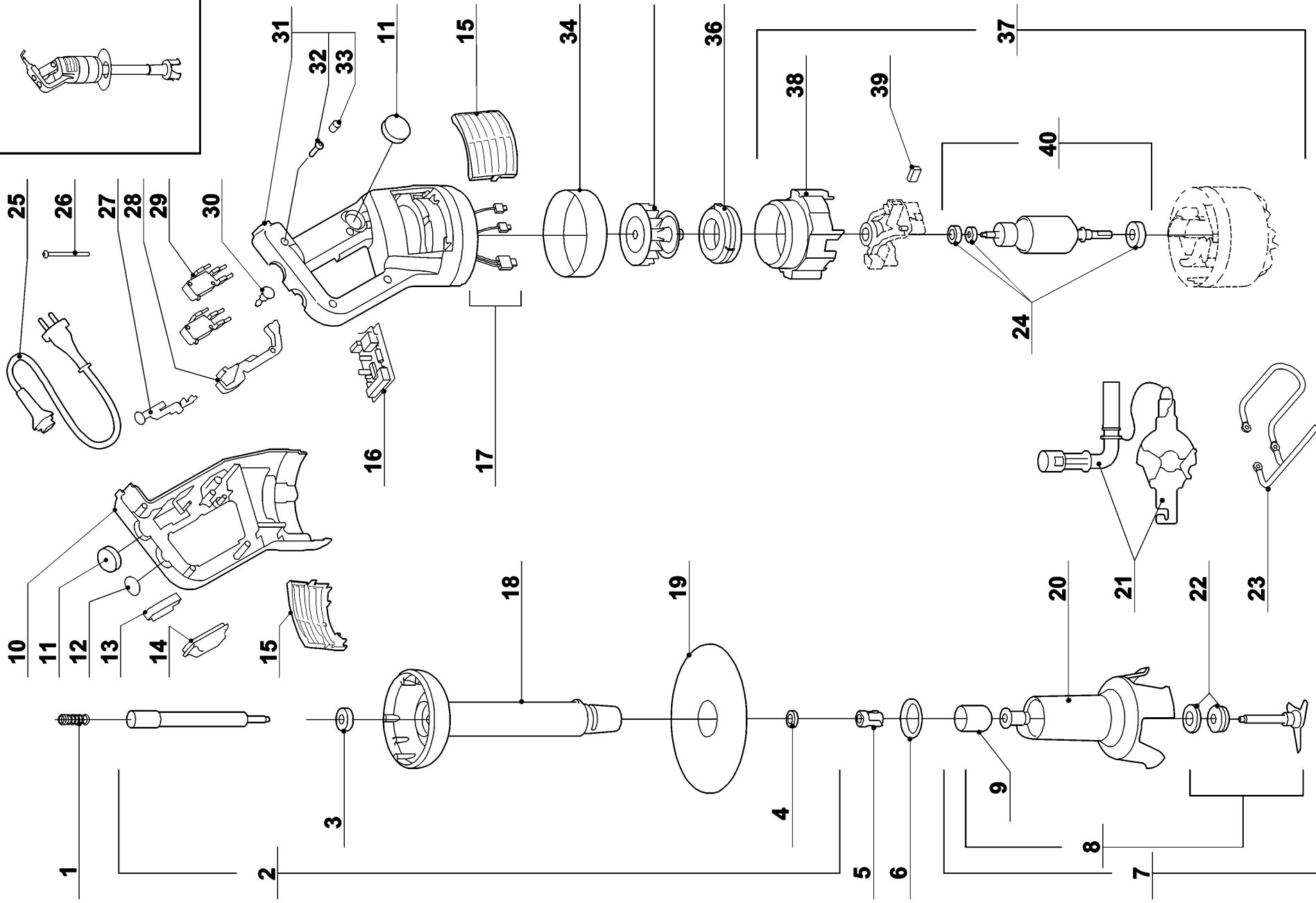
PH: 1-800-824-1646
Robot Coupe U.S.A. Inc.
Service Department
280 South Perkins St.,
Ridgeland, MS 39157

robot  *coupe*®

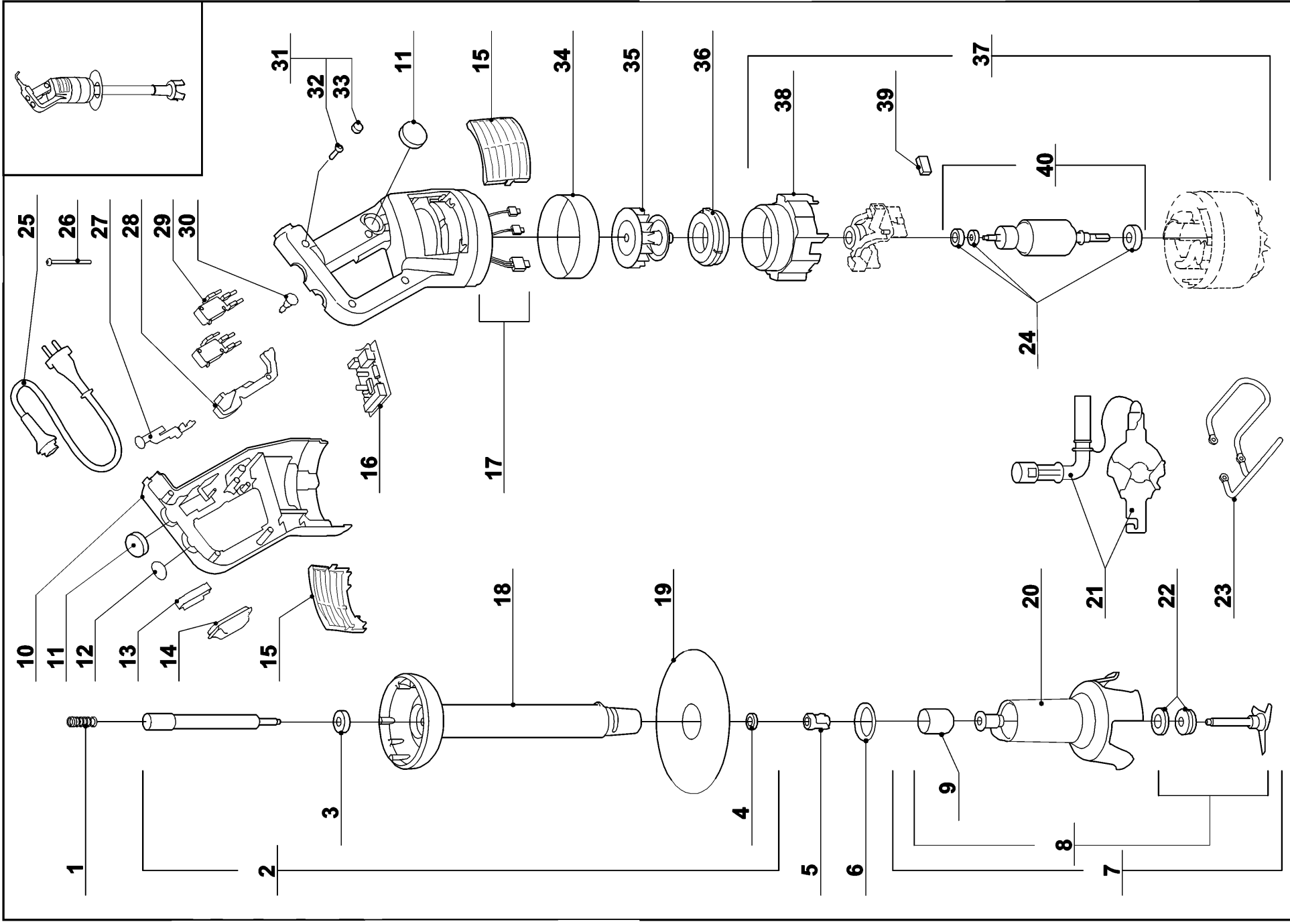
TECHNICAL DATA

DATOS TÉCNICOS

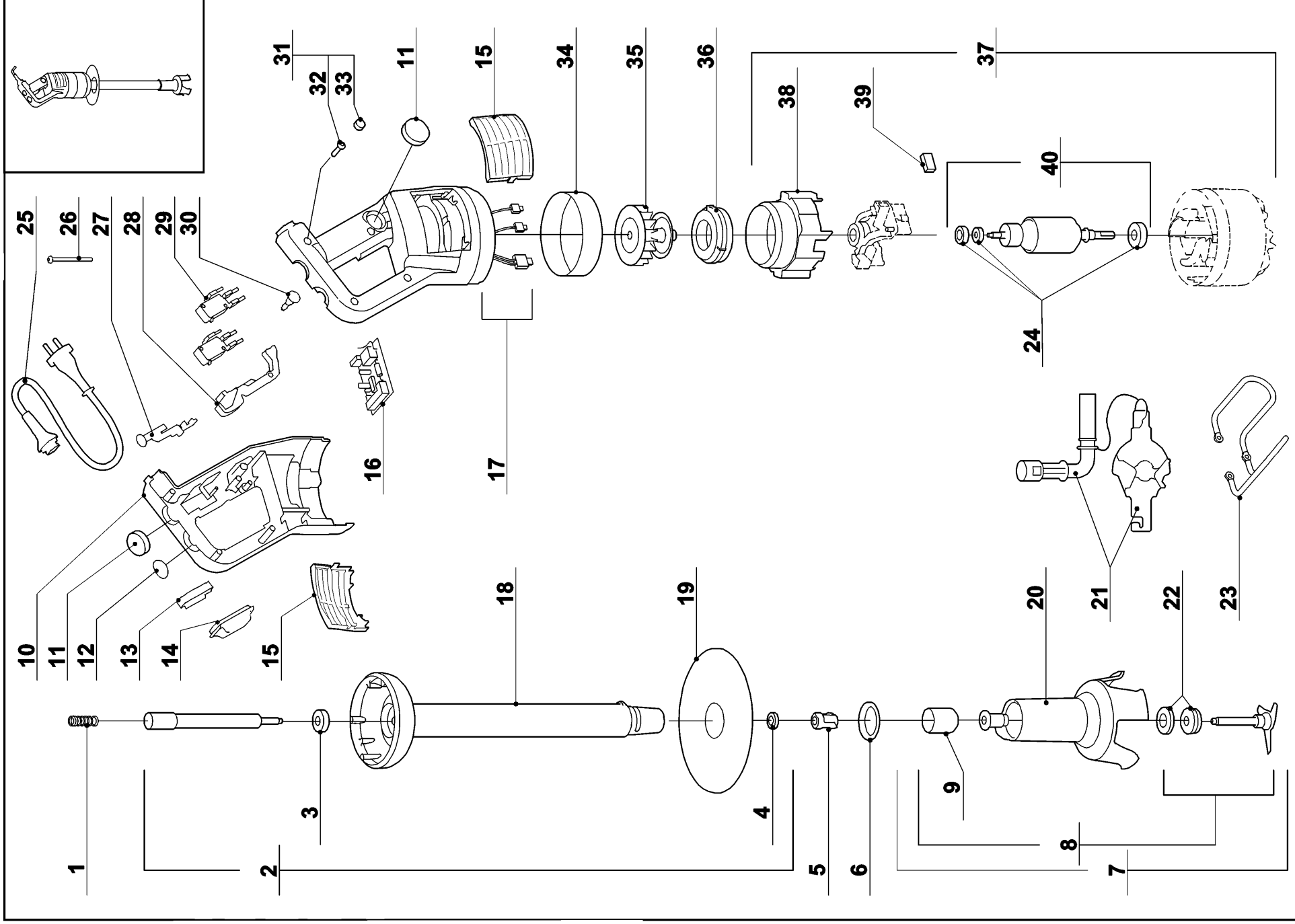
DONNÉES TECHNIQUES



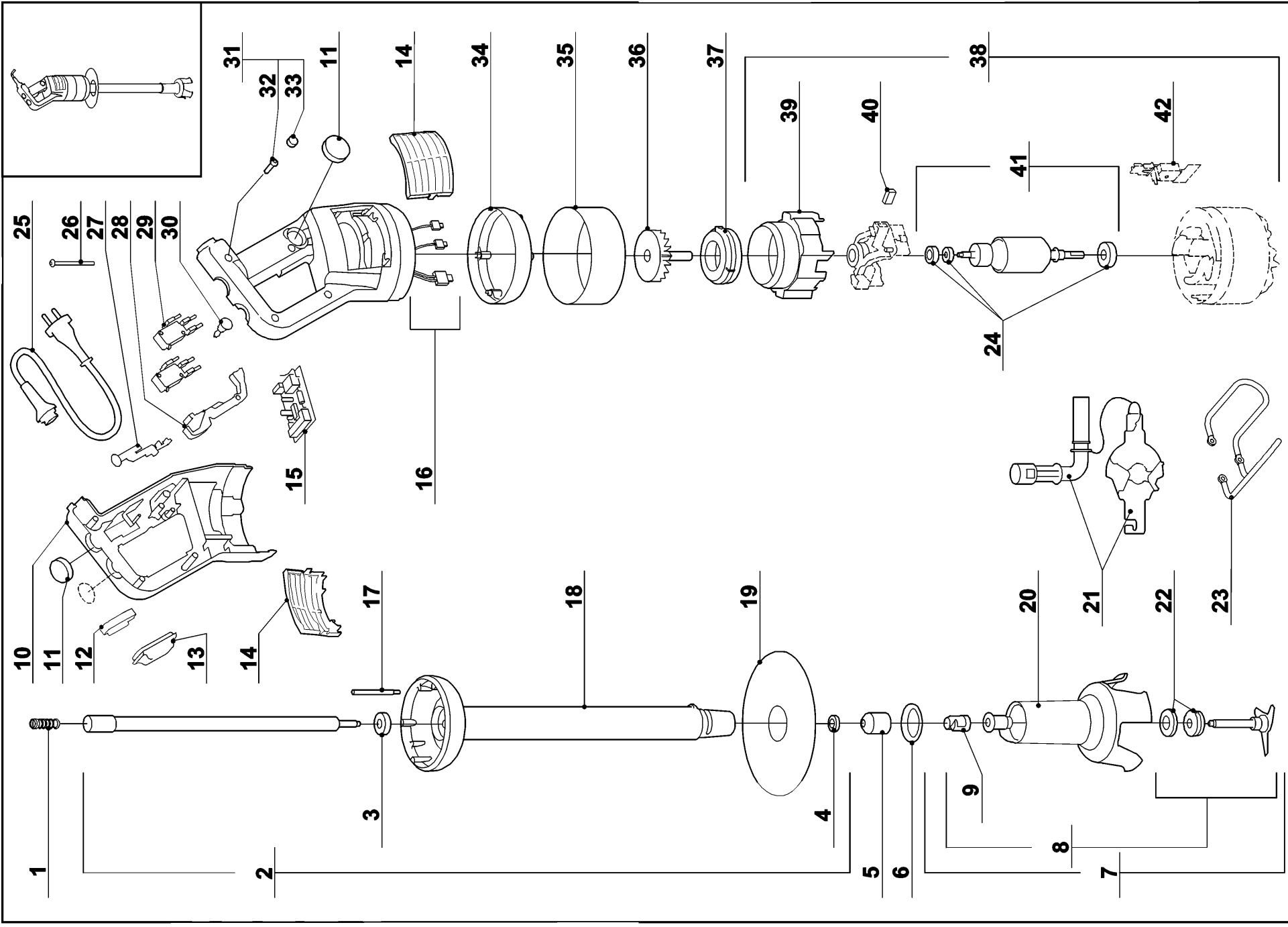
<i>Index</i>	<i>Pièce / Part</i>	<i>Description</i>	<i>Designation</i>
1	MP 102 570	SPRING	/
2	MP 29 538	DRIVING SHAFT 350 ASSEMBLY	/
3	MP 507 005	FOOT BEARING	/
4	MP 507 004	SEAL	/
5	MP 102 422	DRIVING HUB	/
6	MP 102 417	FOOT SEAL	/
7	MP 29 505	COMPLETE 450 BELL COVER ASSEMBLY	/
8	MP 29 503	450 BLADE ASSEMBLY	/
9	MP 102 410	DRIVING FRAME	/
10	MP 29 547	RIGHT HANDLE ASSEMBLY	/
11	MP 29 669	CAP KNOP-CAP SCREW ASSEMBLY	/
12	MP 29 670	CAP HANDLE – CAP SCREW ASS	/
13	MP 29 718	SEAL RING-CAP SCREW ASSEMBLY	/
14	MP 29 717	CAP ARM-CAP SCREW ASSEMBLY	/
15	MP 102 437	VENT COVER	/
16	MP 29 674	CIRCUIT BOARD-CAP SCREW ASSEMBLY	/
17	MP 29 513	ELECTRICAL WIRING	/
18	MP 102 731	FOOT 350	/
19	MP 102 950	NSF MIXER MP PROTECTION	/
20	MP 29 504	BELL COVER ASS-RING 450	/
21	MP 29 540	TOOL ASSEMBLY	/
22	MP 507 000	SEAL RING	/
23	MP 102 439	RACK	/
24	MP 29 507	MOTOR BEARING ASSEMBLY	/
25	MP 29 716	POWER CORD-CAP SCREW ASSEMBLY	/
26	MP 203 057	SCREW M4x105	/
27	MP 29 543	SECURITY KNOB-SPRING ASSEMBLY	/
28	MP 29 541	COMMAND ARM-CAP SCREW ASSEMBLY	/
29	MP 29 671	MICROSWITCH – CAP SCREW	/
30	MP 29 542	LOCK KNOB ASSEMBLY-SPRING	/
31	MP 29 545	L HANDLE (COVER)+SCREW+CAP ASSEMBLY	/
32	MP 29 733	SCREW-CAP SCREW ASSEMBLY	/
33	MP 29 544	CAP ASSEMBLY	/
34	MP 102 735	350 FERRULE	/
35	MP 102 940	VENTILATOR-DEFLECTOR	/
36	MP 102 728	AIR DUCT	/
37	MP 302 022	MOTOR	/
38	MP 503 058	VENTILATOR PIPE	/
39	MP 503 060	BRUSH	/
40	MP 29 509	INDUCED CIRCUIT	/



<i>Index</i>	<i>Pièce / Part</i>	<i>Description</i>	<i>Designation</i>
1	MP 102 570	SPRING	/ RESSORT
2	MP 29 506	DRIVING SHAFT 450 ASSEMBLY	/ ENS. ARBRE D'ENTRAINEMENT MP450
3	MP 507 005	FOOT BEARING	/ ROULEMENT DE PIED (608 2RS)
4	MP 507 004	SEAL	/ JOINT A LEVRE (8x18x5)
5	MP 102 422	DRIVING HUB	/ MOYEU D'ENTRAINEMENT
6	MP 102 417	FOOT SEAL	/ JOINT DE PIED
7	MP 29 505	COMPLETE 450 BELL COVER ASSEMBLY	/ ENS. CLOCHE COMPLETE 450
8	MP 29 503	450 BLADE ASSEMBLY	/ ENS. COUTEAU 450
9	MP 102 410	DRIVING FRAME	/ CAGE D'ENTRAINEMENT
10	MP 29 547	RIGHT HANDLE ASSEMBLY	/ ENS. ½ POIGNEE DROITE
11	MP 29 669	CAP KNOB-CAP SCREW ASSEMBLY	/ ENS. CAPUCHON-BOUTON-CACHE VIS
12	MP 29 670	CAP HANDLE – CAP SCREW ASS	/ ENS. BOUTON POIGNEE – CACHE
13	MP 29 718	SEAL RING-CAP SCREW ASSEMBLY	/ ENS. BAGUE MAINTIEN ETANCH-C
14	MP 29 717	CAP ARM-CAP SCREW ASSEMBLY	/ ENS. CAPUCHON LEVIER-CACHE VIS
15	MP 102 437	VENT COVER	/ GRILLE
16	MP 29 674	CIRCUIT BOARD-CAP SCREW ASSEMBLY	/ ENS. PLATINE CACHE VIS
17	MP 29 513	ELECTRICAL WIRING	/ ENS. FILS ELECTRIQUE
18	MP 102 411	FOOT 450	/ PIED 450
19	MP 102 950	NSF MIXER MP PROTECTION	/ PROTECTION NSF MIXER MP
20	MP 29 504	BELL COVER ASS-RING 450	/ ENS. CLOCHE-BAGUE 450
21	MP 29 540	TOOL ASSEMBLY	/ ENS. OUTIL DE DEMONTAGE
22	MP 507 000	SEAL RING	/ GARNITURE D'ETANCHEITE
23	MP 102 439	RACK	/ SUPPORT MURAL
24	MP 29 507	MOTOR BEARING ASSEMBLY	/ ENS. ROULEMENT MOTEUR
25	MP 29 716	POWER CORD-CAP SCREW ASSEMBLY	/ ENS. CABLE D'ALIMENTATION-CAI
26	MP 203 057	SCREW M4x105	/ VIS M4x105
27	MP 29 543	SECURITY KNOB-SPRING ASSEMBLY	/ ENS. BOUTON DE SECURITE-RES
28	MP 29 541	COMMAND ARM-CAP SCREW ASSEMBLY	/ ENS. LEVIER DE COMMANDE-CAC
29	MP 29 671	MICROSWITCH – CAP SCREW	/ ENS. MICRO INTERRUPTEUR – CA
30	MP 29 542	LOCK KNOB ASSEMBLY-SPRING	/ ENS. BOUTON VERROUILLAGE-RE
31	MP 29 545	L HANDLE (COVER)+SCREW+CAP ASSEMBLY	/ ENS. ½ POIGNEE G(CAPOT)+VIS+
32	MP 29 733	SCREW-CAP SCREW ASSEMBLY	/ ENS. VIS 3x19-CACHE VIS POIGNE
33	MP 29 544	CAP ASSEMBLY	/ ENS. CACHE VIS
34	MP 102 572	450 FERRULE	/ VIROLE DÉCOR 450
35	MP 102 940	VENTILATOR-DEFLECTOR	/ VENTILATEUR-DEFLECTEUR
36	MP 102 728	AIR DUCT	/ COURONNE DE CANALISATION
37	MP 302 022	MOTOR	/ MOTEUR
38	MP 503 058	VENTILATOR PIPE	/ CONDUIT VENTILATEUR
39	MP 503 060	BRUSH	/ CHARBON
40	MP 29 509	INDUCED CIRCUIT	/ ENSEMBLE INDUIT



<i>Index</i>	<i>Pièce / Part</i>	<i>Description</i>	<i>Designation</i>
1	MP 102 570	SPRING	/ RESSORT
2	MP 29 539	DRIVING SHAFT 550 ASSEMBLY	/ ENS. ARBRE D'ENTRAINEMENT MP550
3	MP 507 005	FOOT BEARING	/ ROULEMENT DE PIED (608 2RS)
4	MP 507 004	SEAL	/ JOINT A LEVRE (8x18x5)
5	MP 102 422	DRIVING HUB	/ MOYEU D'ENTRAINEMENT
6	MP 102 417	FOOT SEAL	/ JOINT DE PIED
7	MP 29 505	COMPLETE 450 BELL COVER ASSEMBLY	/ ENS. CLOCHE COMPLETE 450
8	MP 29 503	450 BLADE ASSEMBLY	/ ENS. COUTEAU 450
9	MP 102 410	DRIVING FRAME	/ CAGE D'ENTRAINEMENT
10	MP 29 547	RIGHT HANDLE ASSEMBLY	/ ENS. ½ POIGNEE DROITE
11	MP 29 669	CAP KNOB-CAP SCREW ASSEMBLY	/ ENS. CAPUCHON-BOUTON-CACHE VIS
12	MP 29 670	CAP HANDLE – CAP SCREW ASS	/ ENS BOUTON POIGNEE – CACHE VIS
13	MP 29 718	SEAL RING-CAP SCREW ASSEMBLY	/ ENS. BAGUE MAINTIEN ETANCH-CACHE VIS
14	MP 29 717	CAP ARM-CAP SCREW ASSEMBLY	/ ENS. CAPUCHON LEVIER-CACHE VIS
15	MP 102 437	VENT COVER	/ GRILLE
16	MP 29 674	CIRCUIT BOARD-CAP SCREW ASSEMBLY	/ ENS. PLATINE CACHE VIS
17	MP 29 513	ELECTRICAL WIRING	/ ENS. FILS ELECTRIQUE
18	MP 102 446	FOOT 550	/ PIED 550
19	MP 102 950	NSF MIXER MP PROTECTION	/ PROTECTION NSF MIXER MP
20	MP 29 504	BELL COVER ASS-RING 450	/ ENS. CLOCHE-BAGUE 450
21	MP 29 540	TOOL ASSEMBLY	/ ENS. OUTIL DE DEMONTAGE
22	MP 507 000	SEAL RING	/ GARNITURE D'ETANCHEITE
23	MP 102 439	RACK	/ SUPPORT MURAL
24	MP 29 507	MOTOR BEARING ASSEMBLY	/ ENS. ROULEMENT MOTEUR
25	MP 29 716	POWER CORD-CAP SCREW ASSEMBLY	/ ENS. CABLE D'ALIMENTATION-CACHE VIS
26	MP 203 057	SCREW M4x105	/ VIS M4x105
27	MP 29 543	SECURITY KNOB-SPRING ASSEMBLY	/ ENS. BOUTON DE SECURITE-RESSORT
28	MP 29 541	COMMAND ARM-CAP SCREW ASSEMBLY	/ ENS. LEVIER DE COMMANDE-CACHE VIS
29	MP 29 671	MICROSWITCH – CAP SCREW	/ ENS MICRO INTERRUPTEUR – CACHE VIS
30	MP 29 542	LOCK KNOB ASSEMBLY-SPRING	/ ENS. BOUTON VERROUILLAGE-RESSORT
31	MP 29 545	L HANDLE (COVER)+SCREW+CAP ASSEMBLY	/ ENS. ½ POIGNEE G(CAPOT)+VIS+CACHE
32	MP 29 733	SCREW-CAP SCREW ASSEMBLY	/ ENS. VIS 3x19-CACHE VIS POIGNEE
33	MP 29 544	CAP ASSEMBLY	/ ENS. CACHE VIS
34	MP 102 573	550 FERRULE	/ VIROLE DÉCOR 550
35	MP 102 940	VENTILATOR-DEFLECTOR	/ VENTILATEUR-DEFLECTEUR
36	MP 102 728	AIR DUCT	/ COURONNE DE CANALISATION
37	MP 302 022	MOTOR	/ MOTEUR
38	MP 503 058	VENTILATOR PIPE	/ CONDUIT VENTILATEUR
39	MP 503 060	BRUSH	/ CHARBON
40	MP 29 509	INDUCED CIRCUIT	/ ENSEMBLE INDUIT



<i>Index</i>	<i>Pièce / Part</i>	<i>Descriptions</i>	<i>Désignation</i>
1	MP 102 570	SPRING	/ RESSORT
2	MP 29 968	DRIVING SHAFT	/ ENS. ARBRE D'ENTRAINEMENT MI
3	MP 507 005	FOOT BEARING	/ ROULEMENT DE PIED (608 2RS)
4	MP 507 004	SEAL	/ JOINT A LEVRE (8x18x5)
5	MP 102 410	DRIVING FRAME	/ CAGE D'ENTRAINEMENT
6	MP 102 417	FOOT SEAL	/ JOINT DE PIED
7	MP 29 558	COMPLETE BELL COVER ASSEMBLY	/ ENS. CLOCHE COMPLETE
8	MP 29 555	BLADE ASSEMBLY	/ ENS. COUTEAU
9	MP 102 422	DRIVING HUB	/ MOYEU D'ENTRAINEMENT
10	MP 29 969	RIGHT HANDLE ASSEMBLY	/ ENS. ½ POIGNEE DROITE
11	MP 29 669	CAP KNOB-CAP SCREW ASSEMBLY	/ ENS. CAPUCHON-BOUTON-CACHE VIS
12	MP 29 718	SEAL RING-CAP SCREW ASSEMBLY	/ ENS. BAGUE MAINTIEN ETANCH-C
13	MP 29 717	CAP ARM-CAP SCREW ASSEMBLY	/ ENS. CAPUCHON LEVIER-CACHE VIS
14	MP 102 437	VENT COVER	/ GRILLE
15	MP 29 971	CIRCUIT BOARD-CAP SCREW ASSEMBLY	/ ENS. PLATINE CACHE VIS
16	MP 29 513	ELECTRICAL WIRING	/ ENS. FILS ELECTRIQUE
17	MP 103 831	SCREWED SPACER	/ TIRANT
18	MP 103 351	FOOT 600	/ PIED 600
19	MP 102 950	NSF MIXER MP PROTECTION	/ PROTECTION NSF MIXER MP
20	MP 29 556	BELL COVER ASS-RING	/ ENS. CLOCHE-BAGUE
21	MP 29 540	TOOL ASSEMBLY	/ ENS. OUTIL DE DEMONTAGE
22	MP 507 000	SEAL RING	/ GARNITURE D'ETANCHEITE
23	MP 102 439	RACK	/ SUPPORT MURAL
24	MP 29 507	MOTOR BEARING ASSEMBLY	/ ENS. ROULEMENT MOTEUR
25	MP 29 176	POWER CORD-CAP SCREW ASSEMBLY	/ ENS. CABLE D'ALIMENTATION-CAI
26	MP 203 168	SCREW	/ VIS M4x60
27	MP 29 543	SECURITY KNOB-SPRING ASSEMBLY	/ ENS. BOUTON DE SECURITE-RES
28	MP 29 541	COMMAND ARM-CAP SCREW ASSEMBLY	/ ENS. LEVIER DE COMMANDE-CAC
29	MP 29 671	MICROSWITCH – CAP SCREW	/ ENS. MICRO INTERRUPTEUR – CAI
30	MP 29 542	LOCK KNOB ASSEMBLY-SPRING	/ ENS. BOUTON VERROUILLAGE-RE
31	MP 29 970	L HANDLE (COVER)+SCREW+CAP ASSEMBLY	/ ENS. ½ POIGNEE G(CAPOT)+VIS+
32	MP 29 733	SCREW-CAP SCREW ASSEMBLY	/ ENS. VIS 3x19-CACHE VIS POIGNE
33	MP 29 544	CAP ASSEMBLY	/ ENS. CACHE VIS
34	MP 103 833	MOTOR FERRULE	/ VIROLE MOTEUR
35	MP 103 344	FERRULE	/ VIROLE DECOR
36	MP 103 349	VENTILATOR	/ VENTILATEUR
37	MP 103 375	AIR DUCT	/ COURONNE DE CANALISATION
38	MP 303 118	MOTOR	/ MOTEUR
39	MP 503 058	VENTILATOR PIPE	/ CONDUIT VENTILATEUR
40	MP 507 180	BRUSH	/ CHARBON
41	MP 29 977	INDUCED CIRCUIT	/ ENSEMBLE INDUIT
42	MP 507 186	RECTIFIER BRIDGE	/ PONT DE DIODES

MP 350 - MP 450 - MP 550

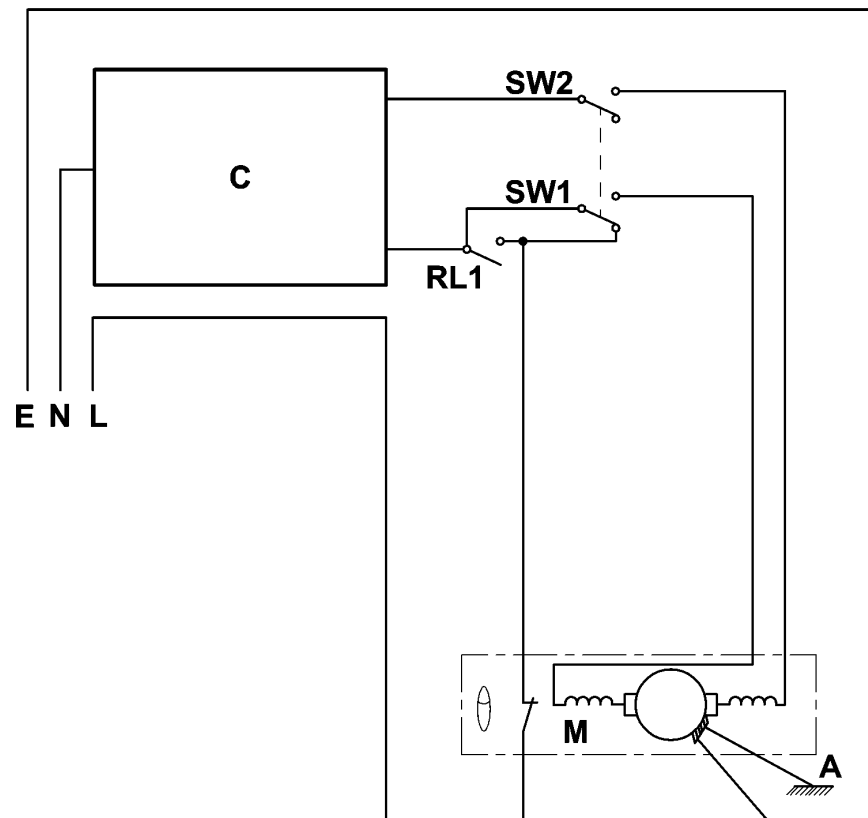
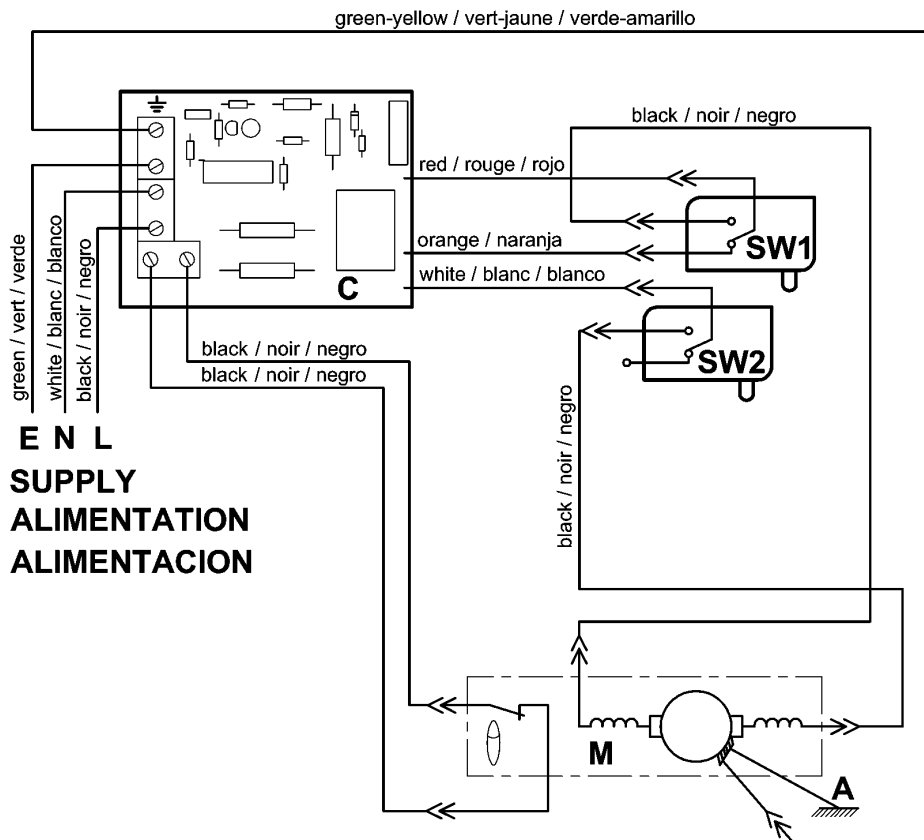
120V/60Hz 1~

ELECTRIC DIAGRAM

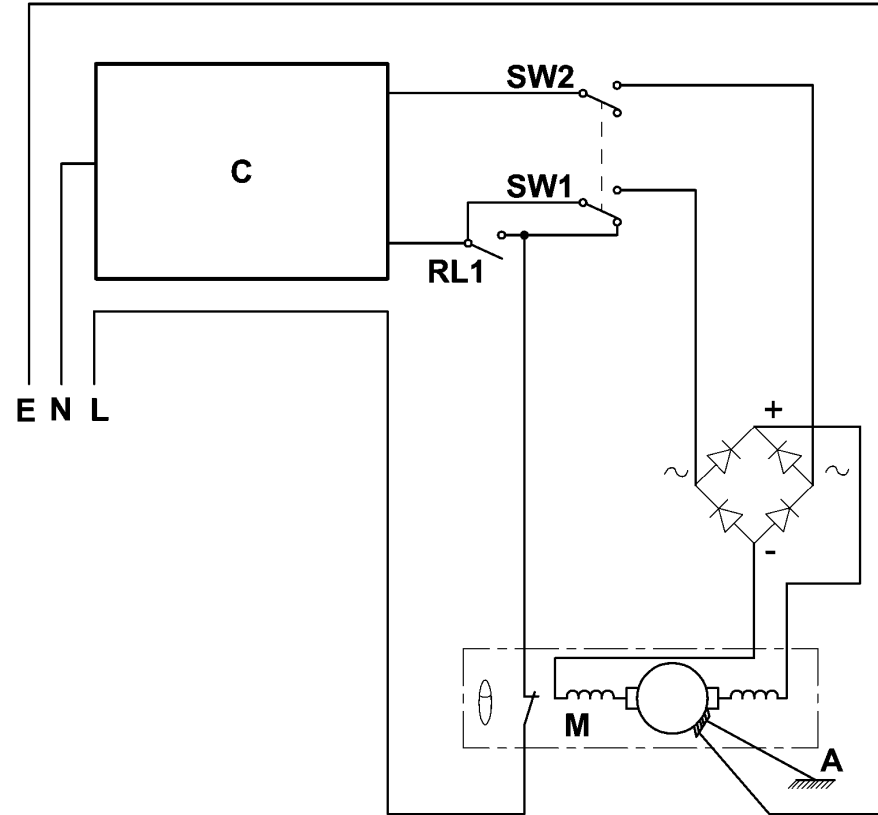
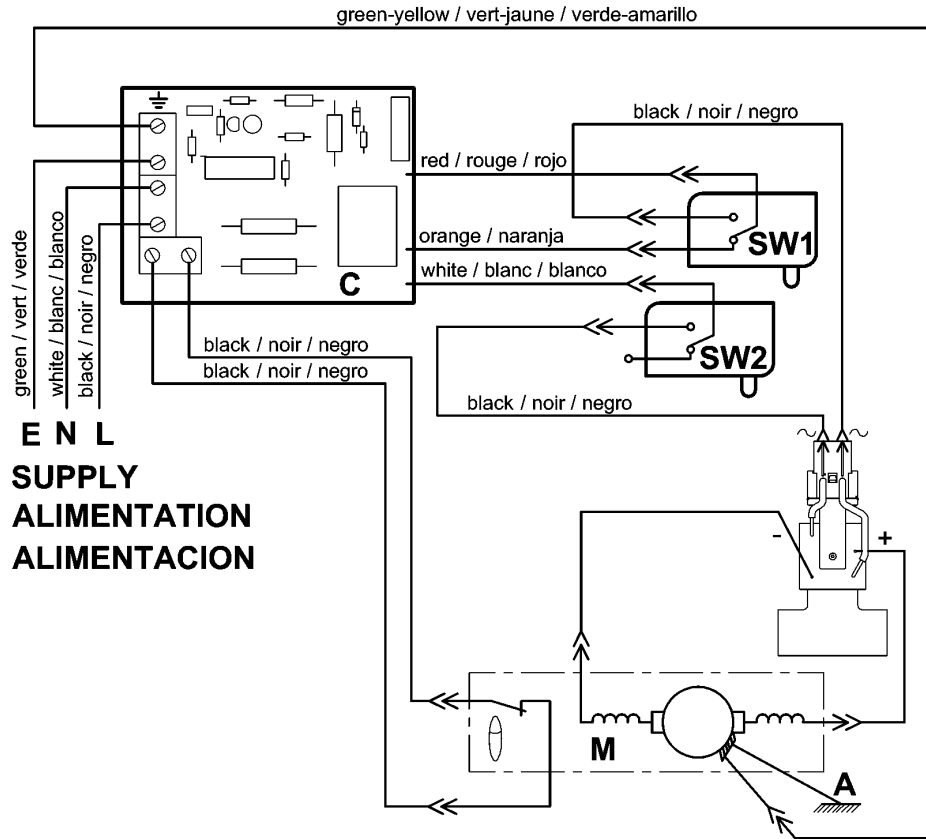
SCHEMA ELECTRIQUE

ESQUEMA CONEXIONES

	English	Français	Espanol
A	Aluminium housing	Carter aluminium	Carter aluminio
C	Control unit	Unité de contrôle	Unidad de control
M	Motor	Moteur	Motor
SW1	On/off switch	Interrupteur marche/arrêt	Interruptor marcha/parada
SW2	On/off switch	Interrupteur marche/arrêt	Interruptor marcha/parada
\emptyset	Thermal protector	Protecteur thermique	Protector termico



	English	Français	Espanol
A	Aluminium housing	Carter aluminium	Carter aluminio
C	Control unit	Unité de contrôle	Unidad de control
M	Motor	Moteur	Motor
SW1	On/off switch	Interrupteur marche/arrêt	Interruptor marcha/parada
SW2	On/off switch	Interrupteur marche/arrêt	Interruptor marcha/parada
\emptyset	Thermal protector	Protecteur thermique	Protector termico





robot coupe[®]

P.O. Box 16625, Jackson, MS 39236-6625

280 South Perkins St., Ridgeland, MS 39157

e-mail: robocoup@misnet.com

website: www.robotcoupeusa.com

Phone : 1-800-824-1646